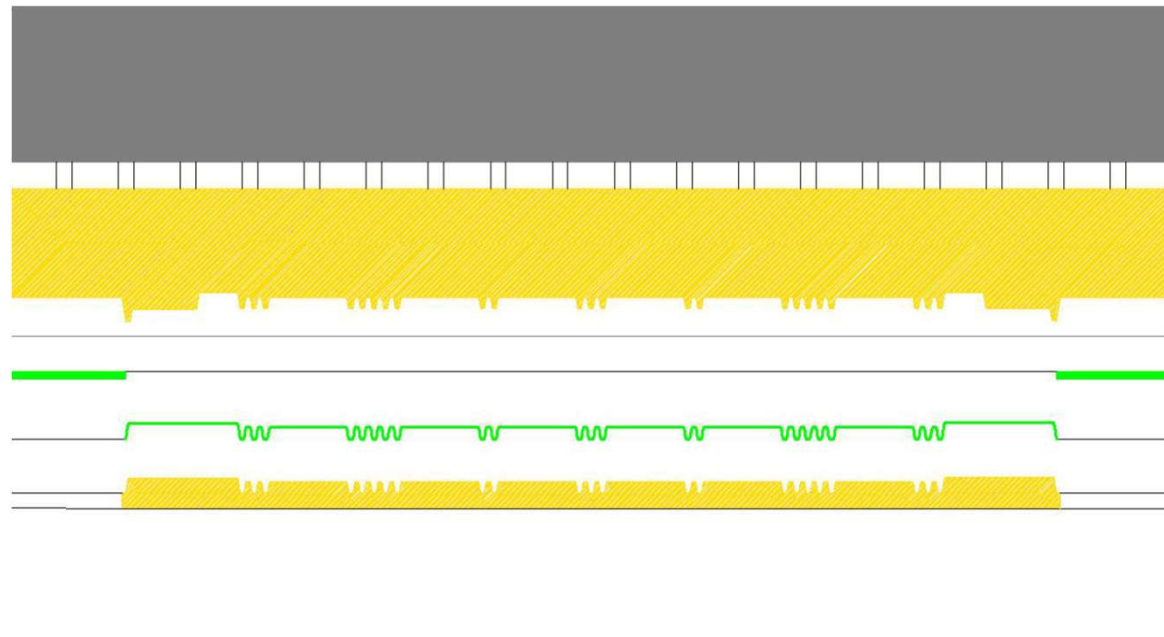
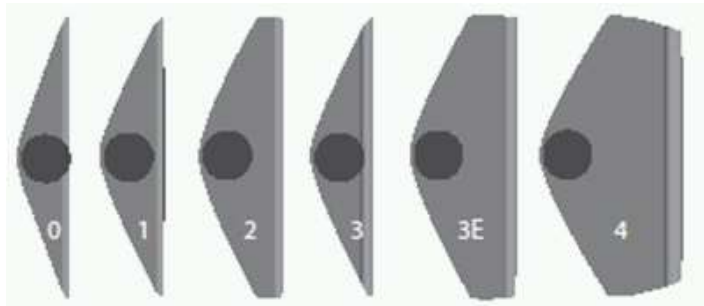


# Accessories for Hot-Foil-Stampers



# Toggle Hooks for honeycomb

Different sizes



# Toggle Hooks & Tools



## PRICES (in bags of 10 pcs)

	Standard	Lower
--	----------	-------

#0	á EUR 6,00	7,50
----	------------	------

#1	á EUR 6,00	7,50
----	------------	------

#2	á EUR 6,00	7,50
----	------------	------

#3	á EUR 6,00	7,50
----	------------	------

#3E	á EUR 6,00	7,50
-----	------------	------

#4	á EUR 6,00	7,50
----	------------	------

Toggle key á EUR 25,00 each

Bits for tool á EUR 3,00 (min.10pcs)

# Basic plates PERTINAX



HP on both sides reinforced with  
glassfibre + epoxy resin

## **PRICES for 1060 x 760 mm**

0,4 mm á EUR 24,50

0,5 mm á EUR 25,80

0,6 mm á EUR 27,00

0,7 mm á EUR 28,80

0,8 mm á EUR 30,50

0,9 mm á EUR 33,00

1,0 mm á EUR 35,20

with self-adhesive EUR 15,- /sheet

# Basic plates VETRONIT (GFK)



Vetronit:

100% Hartglasfibre with epoxy-resin, also known as G11

**PRICES for 1200 x 800 mm**

0,4 mm á EUR 33,20

0,5 mm á EUR 38,40

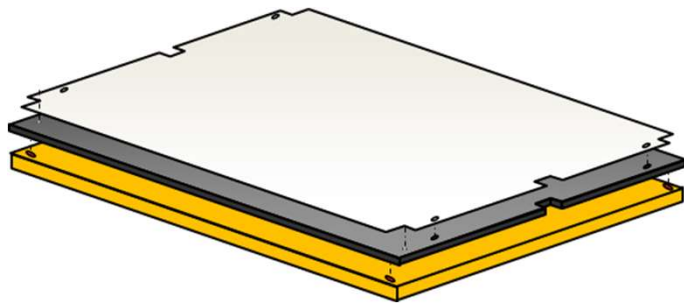
0,6 mm á EUR 49,90

0,8 mm á EUR 64,50

1,0 mm á EUR 72,00

With self-adhesive EUR 19,-/sheet

# Counter-plates in Steel



**PRICES for 102-106 format**

**MOQ 6 sheets**

1,0 mm, 35 HRC á EUR 72,00

1,0 mm, 42 HRC á EUR 94,00

other hardness and thickness on demand

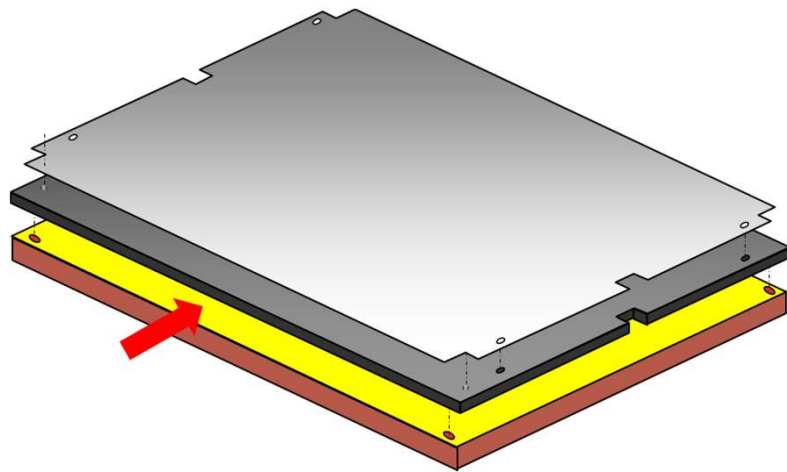
With self-adhesive EUR 19,-/sheet

# Automatic balancing & compensation

To achive that all clichés touch with equal pressure



# appel-mat for compensation



## **PRICES for 102-106 format**

0,3 mm      EUR 166,-

0,5 mm      EUR 182,-

With self-adhesive EUR 19,-/sheet

To place under the 1 or 2 or 3 mm  
steel-plate or under the Vetronit

Resist > 8 mln impacts